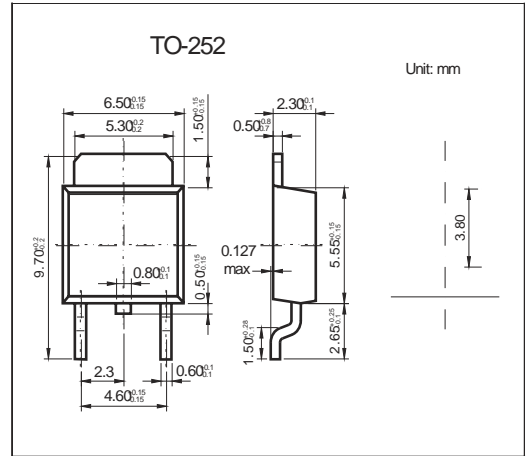


7KHUHH WHUPLQDO SRVLWLYH YROWDJH UHJX

)(\$ 785 (6
 "0D [LPXP RXWSXW FXUUHQW ,20 \$
 "2XWSXW YROWDJH92 9
 "&RQWLQXR XV WRWDO GLVVLSDWLRQ
 3' : 7 D /
 0 (& + \$ 1 , & \$ / ' \$ 7 \$
 "&DVH 72 6PDOO 2XWOLQH 3ODVWL F 3DFNDJH
 "3RODULW \ &RORUEDQG GHQRWHV FDKRGRH HQG
 "ORXQWLQJ 3RVLWLRQ \$ Q \

\$



3 DUDPHWHU		6 \ PERO	9 DOXH
, QSXW 9ROWDJH	L	9	9
7KHUHH WHUPLQDO SRVLWLYH YROWDJH	.5		/ :
2SHUDWLQJ -XQFWLRQ 7HPSHUDWXUH 5DQJH	2.95	a 7	/
6WRUDJH 7HPSHUDWXUH 5DQJH	67*	a	/

3DUDPHWHU

6 \ PERO

7HV'

P\$

4XLHVFHQW & XUHQW & KDOJH	9" 9 9	/				P\$
2XWSXW 1RLVH 9ROWDJH	+] " I " 9 . +]	/				9 9 R
2XWSXW YROWDJH GULIW	, 7 , 2 P \$ R	/				P 9 /
5LSSOH 5HMHFWLRQ	55 9 I 9 " 9	/				G %
'URSRXW 9ROWDJH	9G , R \$	/				9
3HDN & XUHQW	, SN	/				\$

Pulse test.

7 < 3 , & \$ / \$ 3 3 / , & \$ 7 , 2 1

